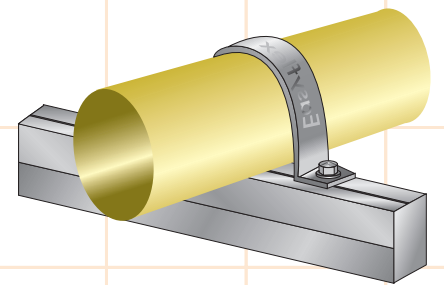
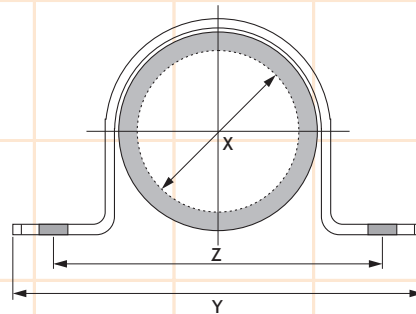
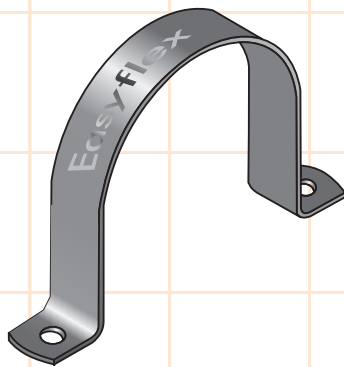


Specification :

- ⇒ Mild Steel and ElectroGalvanized.
- ⇒ Designed for clamping plain or insulated pipes to standard channel supports such as trapeze hangers, floor stands and wall brackets.
- ⇒ Slotted mounting holes for convenient installation.



| Model No. | Size | X | Y | Z | Bolt Size | Strip Size mm |
|-----------|--------|-----|-----|-----|-----------|------------------|
| | | mm | mm | mm | | |
| EFUS022 | 1/2" | 22 | 76 | 51 | M8 | 25x2 |
| EFUS028 | 3/4" | 28 | 82 | 57 | M8 | 25x2 |
| EFUS035 | 1" | 35 | 89 | 64 | M8 | 25x2 |
| EFUS042 | 1 1/4" | 42 | 96 | 71 | M8 | 25x2 |
| EFUS048 | 1 1/2" | 48 | 102 | 77 | M8 | 25x2 |
| EFUS054 | | 54 | 108 | 83 | M8 | 25x2 |
| EFUS060 | 2" | 60 | 114 | 89 | M8 | 25x2 |
| EFUS067 | | 67 | 121 | 96 | M8 | 25x2 |
| EFUS075 | 2 1/2" | 75 | 145 | 113 | M8 | 25x3 |
| EFUS082 | | 82 | 152 | 120 | M8 | 25x3 |
| EFUS090 | 3" | 90 | 160 | 128 | M8 | 25x3 |
| EFUS100 | 3 1/2" | 100 | 170 | 138 | M8 | 25x3 |
| EFUS108 | | 108 | 178 | 146 | M8 | 25x3 |
| EFUS115 | 4" | 115 | 185 | 153 | M8 | 25x3 |
| EFUS126 | | 126 | 196 | 164 | M10 | 25x3 |
| EFUS140 | 5" | 140 | 210 | 178 | M10 | 25x3 |
| EFUS148 | | 148 | 218 | 186 | M10 | 25x3 |
| EFUS155 | | 155 | 225 | 193 | M10 | 25x3 |

⇒ Due to policy of continual improvement, the specifications are subject to change without prior notice.
 ⇒ Measurements are subject to 5% tolerance.

| Model No. | Size | X | Y | Z | Bolt Size | Strip Size mm |
|-----------|------|-----|------|-----|-----------|------------------|
| | | mm | mm | mm | | |
| EFUS167 | 6" | 167 | 237 | 205 | M10 | 25x3 |
| EFUS179 | | 179 | 249 | 217 | M10 | 25x3 |
| EFUS190 | | 190 | 260 | 228 | M10 | 38x3 |
| EFUS205 | | 205 | 275 | 243 | M10 | 38x3 |
| EFUS219 | 8" | 219 | 289 | 257 | M10 | 38x3 |
| EFUS230 | | 230 | 300 | 268 | M10 | 38x3 |
| EFUS241 | | 241 | 332 | 291 | M12 | 38x4.5 |
| EFUS263 | | 263 | 354 | 313 | M12 | 38x4.5 |
| EFUS273 | 10" | 273 | 364 | 323 | M18 | 38x4.5 |
| EFUS295 | | 295 | 386 | 345 | M18 | 38x4.5 |
| EFUS323 | 12" | 323 | 414 | 373 | M18 | 38x4.5 |
| EFUS356 | 14" | 356 | 447 | 406 | M18 | 50x4.5 |
| EFUS374 | | 374 | 465 | 424 | M18 | 50x4.5 |
| EFUS406 | 16" | 406 | 497 | 456 | M18 | 50x4.5 |
| EFUS432 | | 432 | 523 | 482 | M18 | 50x4.5 |
| EFUS456 | 18" | 456 | 547 | 506 | M18 | 50x4.5 |
| EFUS482 | | 482 | 573 | 532 | M18 | 50x4.5 |
| EFUS508 | 20" | 508 | 599 | 558 | M18 | 50x4.5 |
| EFUS533 | | 533 | 624 | 583 | M18 | 50x4.5 |
| EFUS559 | | 559 | 650 | 609 | M18 | 50x4.5 |
| EFUS583 | | 583 | 674 | 633 | M18 | 50x4.5 |
| EFUS610 | 24" | 610 | 701 | 660 | M18 | 50x4.5 |
| EFUS658 | | 658 | 766 | 718 | M18 | 50x6 |
| EFUS690 | | 690 | 198 | 750 | M18 | 50x6 |
| EFUS760 | | 760 | 868 | 820 | M18 | 50x6 |
| EFUS863 | | 863 | 971 | 923 | M18 | 50x6 |
| EFUS918 | | 918 | 1026 | 978 | M18 | 50x6 |

⇒ Due to policy of continual improvement, the specifications are subject to change without prior notice.
 ⇒ Measurements are subject to 5% tolerance.