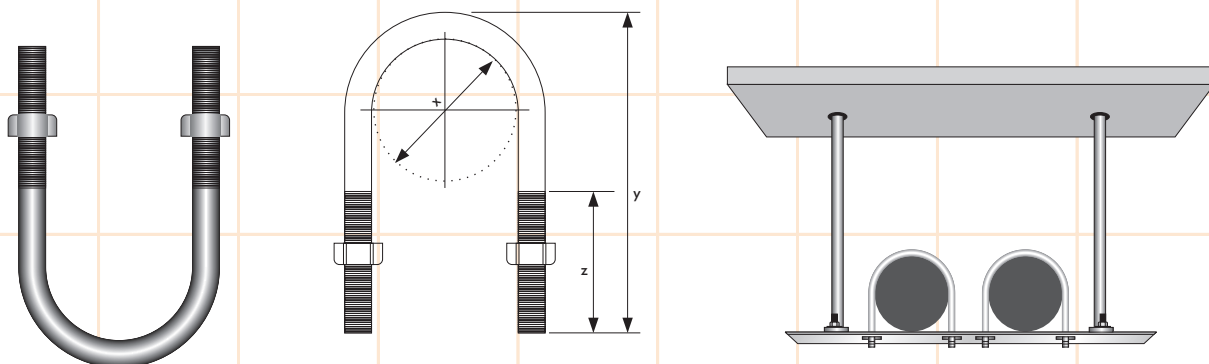


## Specifications :

- ⇒ Mild Steel and Electrgalvanized for corrosion resistance for direct fixing to pipe clamps to channel systems.
- ⇒ With necessary precautions they can be used either as fixed or a sliding support.
- ⇒ Supplied with two nuts and two washers.



Model No.	Size	Threaded Connection	Dimension (mm)		
			x	y	z
EFUB022	1/2"	M10	21	65	50
EFUB028	3/4"	M10	27	77	50
EFUB035	1"	M10	34	85	50
EFUB042	1 1/4"	M10	43	93	50
EFUB048	1 1/2"	M10	48	100	50
EFUB060	2"	M10	60	110	50
EFUB075	2 1/2"	M12	76	127	50
EFUB090	3"	M12	89	140	50
EFUB115	4"	M12	115	165	50
EFUB140	5"	M12	140	190	50
EFUB160	6"	M12	168	220	50
EFUB219	8"	M16	219	295	75
EFUB273	10"	M20	273	370	100
EFUB324	12"	M20	324	420	100
EFUB356	14"	M20	356	455	100
EFUB406	16"	M20	406	505	100
EFUB457	18"	M24	457	555	100
EFUB508	20"	M24	508	605	100
EFUB610	24"	M24	610	710	100

⇒ Due to policy of continual improvement, the specifications are subject to change without prior notice.  
 ⇒ Measurements are subject to 5% tolerance.