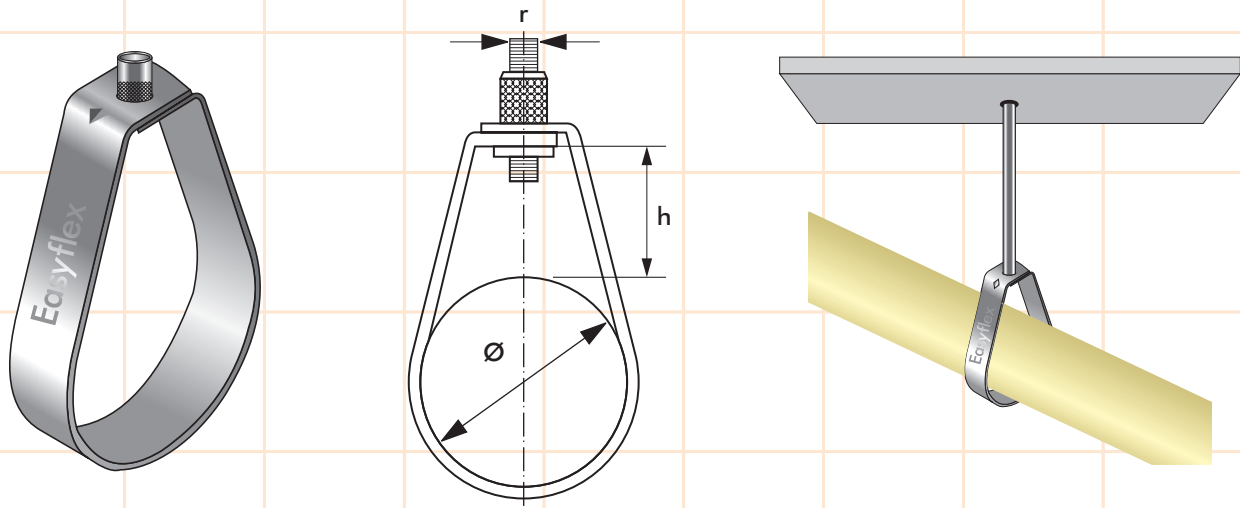


Specifications :

- ⇒ Used for free hanging of horizontal pipe lines.
- ⇒ Used for sprinkler system installation.
- ⇒ Used for fire extinguishing systems.
- ⇒ Pipe level can be adjustable vertically after Installation.
- ⇒ Lips are dimpled at bend for added strength.
- ⇒ One piece clip guarantees a high permissible load.
- ⇒ Mounting without any tools.



Model No.	Pipe Size (Inches)	Threaded Connection (r) (mm)	Strip Size (mm)	Height (mm)	Height Adjustment (h) (mm)	Safe Working Load (kgs)
EFSC028	3/4"	10	1.5x20	61	28	200
EFSC035	1"	10	1.5x21	68	35	200
EFSC040	1 1/4"	10	1.5x22	75	42	200
EFSC048	1 1/2"	10	1.5x23	81	48	200
EFSC060	2"	10	1.5x24	100	60	200
EFSC075	2 1/2"	10	2x32	120	73	450
EFSC090	3"	10	2x33	135	89	450
EFSC100	3 1/2"	10	2x34	150	105	450
EFSC115	4"	10	2.5x32	165	115	500
EFSC140	5"	12	2.5x40	195	140	550
EFSC168	6"	12	3x40	230	168	700
EFSC200	8"	12	3x50	290	219	700
EFSC250	10"	12	3x50	315	273	700

- ⇒ Due to policy of continual improvement, the specifications are subject to change without prior notice.
- ⇒ Measurements are subject to 5% tolerance.
- ⇒ To achieve good sound suppression do not over load fitting.