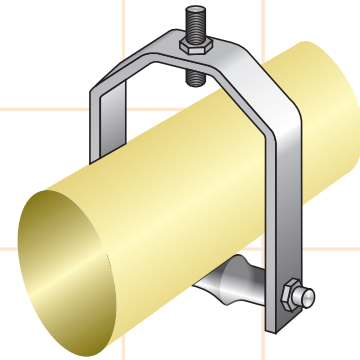
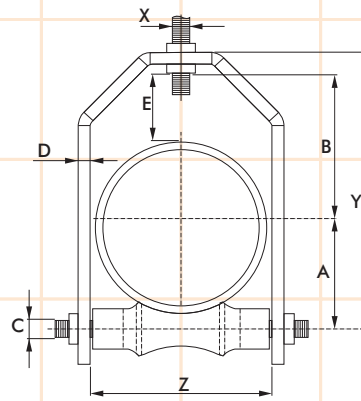
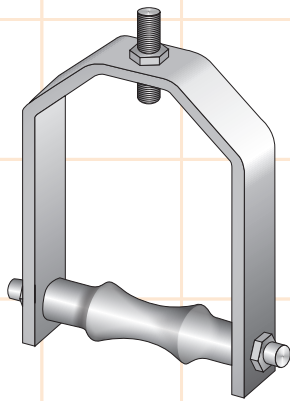


Specification :

- ⇒ Material: Steel frame with a cast iron roller.
- ⇒ Standard Finish: Electro-plated Zinc.
- ⇒ Service: Designed to suspend pipes where axial movements required.
- ⇒ Vertical adjustments are possible once the pipe is in place.
- ⇒ The lower nut (not supplied) is used to adjust the pipeline to the required elevation.
- ⇒ The top nut (not supplied) must securely be tightened to assure proper performance of hanger after adjustment.
- ⇒ Approvals: Complies with Manufacturers' Standardization Society
- ⇒ MSS SP-58 and MSS SP-69 Type 43



Model No.	Size	Dimensions (mm)							Max. Recom. Load Kg
		A	B	Bracket Size	E	X	Y	Z	
EFRLH035	1"	28	43	3x25	32	10	90	46	100
EFRLH042	1 1/4"	33	46	3x25	32	10	96	47	100
EFRLH048	1 1/2"	38	50	3x25	32	10	107	62	100
EFRLH060	2"	41	57	3x25	32	10	122	64	125
EFRLH075	2 1/2"	50	74	3x25	44	12	148	92	150
EFRLH090	3"	56	81	6x32	44	12	161	94	150
EFRLH100	3 1/2"	65	88	6x32	45	12	180	110	190
EFRLH115	4"	69	93	6x40	46	12	192	122	250
EFRLH140	5"	88	114	6x50	50	12	233	152	300
EFRLH168	6"	102	125	6x50	50	19	260	180	300
EFRLH220	8"	131	152	10x65	50	22	326	230	475
EFRLH273	10"	161	178	10x65	50	22	381	285	475
EFRLH323	12"	192	208	12x65	55	22	440	335	550
EFRLH355	14"	212	221	12x65	55	25	478	372	550
EFRLH406	16"	233	247	12x65	55	25	524	421	585
EFRLH457	18"	267	283	12x65	65	25	590	474	675
EFRLH508	20"	300	305	16x75	65	32	664	522	725
EFRLH610	24"	351	367	16x100	75	32	788	630	975

- ⇒ Due to policy of continual improvement, the specifications are subject to change without prior notice.
- ⇒ Measurements are subject to 5% tolerance.