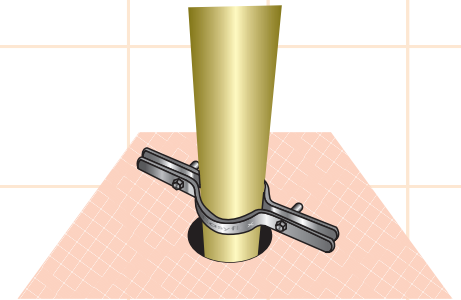
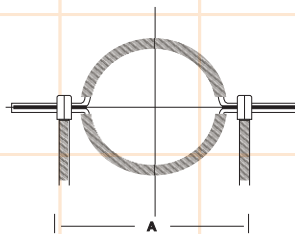
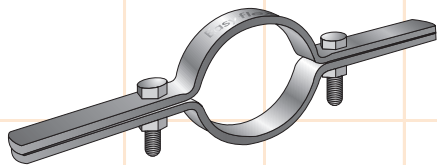


Specifications :

- ⇒ Suitable for use with all types of pipes.
- ⇒ Mild Steel and Electrogalvanized.
- ⇒ Ideal solution for providing rigid supports or guides for all types of vertical piping due to its rugged design.
- ⇒ Ensures stability under large lateral loads.



| Part No. | Pipe Size | Length | Metal Size (mm) | Bolt Size | Max Load |
|----------|-----------|--------|--------------------|-----------|----------|
| | | A | | | Kgs |
| EFRC022 | 1/2" | 200 | 5x25 | M10 | 80 |
| EFRC028 | 3/4" | 210 | 5x25 | M10 | 90 |
| EFRC035 | 1" | 230 | 5x25 | M10 | 100 |
| EFRC040 | 1 1/4" | 260 | 5x25 | M10 | 120 |
| EFRC048 | 1 1/2" | 260 | 5x25 | M10 | 120 |
| EFRC060 | 2" | 260 | 5x25 | M10 | 150 |
| EFRC075 | 2 1/2" | 290 | 6x25 | M12 | 200 |
| EFRC090 | 3" | 290 | 6x25 | M12 | 250 |
| EFRC100 | 3 1/2" | 330 | 6x25 | M12 | 350 |
| EFRC115 | 4" | 330 | 6x25 | M12 | 350 |
| EFRC140 | 5" | 350 | 6x40 | M16 | 550 |
| EFRC168 | 6" | 380 | 6x40 | M16 | 700 |
| EFRC220 | 8" | 470 | 9x40 | M16 | 900 |
| EFRC273 | 10" | 520 | 9x50 | M16 | 1100 |
| EFRC323 | 12" | 580 | 12x50 | M20 | 1100 |
| EFRC355 | 14" | 610 | 12x50 | M20 | 1600 |
| EFRC406 | 16" | 660 | 16x60 | M20 | 1600 |
| EFRC457 | 18" | 710 | 16x60 | M20 | 1900 |
| EFRC508 | 20" | 760 | 16x60 | M20 | 1900 |
| EFRC610 | 24" | 880 | 16x60 | M20 | 2400 |

⇒ Due to policy of continual improvement, the specifications are subject to change without prior notice.
 ⇒ Measurements are subject to 5% tolerance.