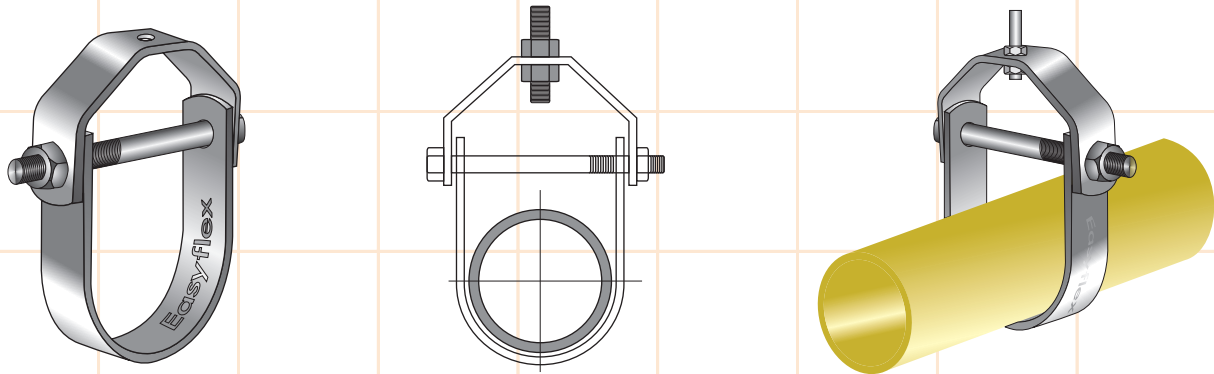


## Specifications :

- ⇒ Designed for the fire-fighting and chilled water pipe work.
- ⇒ Design permits vertical level adjustment of suspended pipes after installation for effective leveling of piping system.
- ⇒ Independent suspension of large pipes.
- ⇒ Mild steel and electro galvanized.
- ⇒ Bottom clevis hanger facilitates installation.
- ⇒ Engineered design aligns bolt eyes for quicker overhead installations.



Model No.	Pipe Size (Inches)	Max Load (kgs)	Dimension (mm)					
			Upper Steel	Lower Steel	Rod Hole Size	Bolt Size	Y	Z
EFCH022	1/2"	275	3 x 25	3 x 25	10	M8 x 60	70	22
EFCH028	3/4"	275	3 x 25	3 x 25	10	M8 x 68	76	28
EFCH035	1"	275	3 x 25	3 x 25	10	M8 x 78	82	35
EFCH040	1-1/4"	275	3 x 25	3 x 25	10	M8 x 82	92	42
EFCH048	1-1/2"	275	3 x 25	3 x 25	10	M8 x 88	100	48
EFCH060	2"	275	3 x 25	3 x 25	10	M10 x 110	117	60
EFCH075	2-1/2"	525	4 x 25	4 x 25	10	M10 x 125	146	73
EFCH090	3"	525	4 x 25	4 x 25	10	M10 x 140	155	89
EFCH105	3-1/2"	525	4 x 25	4 x 25	10	M10 x 155	173	105
EFCH115	4"	650	6 x 32	6 x 32	10	M10 x 170	198	115
EFCH140	5"	650	6 x 32	6 x 32	12	M12 x 195	232	140
EFCH168	6"	875	6 x 32	6 x 32	12	M12 x 225	266	168
EFCH219	8"	900	6 x 40	6 x 40	12	M12 x 275	338	219
EFCH273	10"	1600	6 x 40	6 x 40	16	M16 x 360	419	273
EFCH323	12"	1700	9 x 50	6 x 50	20	M20 x 420	490	323
EFCH355	14"	1900	9 x 50	6 x 50	20	M20 x 455	556	355
EFCH406	16"	2000	12 x 65	6 x 65	24	M24 x 510	610	406
EFCH457	18"	2150	12 x 65	6 x 65	24	M24 x 555	675	457
EFCH508	20"	2200	12 x 75	9 x 75	30	M24 x 610	715	508
EFCH610	24"	2200	16 x 75	9 x 75	30	M24 x 710	850	610
EFCH755	30"	2700	19 x 75	9 x 75	30	M24 x 890	995	755

- ⇒ Due to policy of continual improvement, the specifications are subject to change without prior notice.
- ⇒ Measurements are subject to 5% tolerance.
- ⇒ To achieve good sound suppression do not over load fitting.